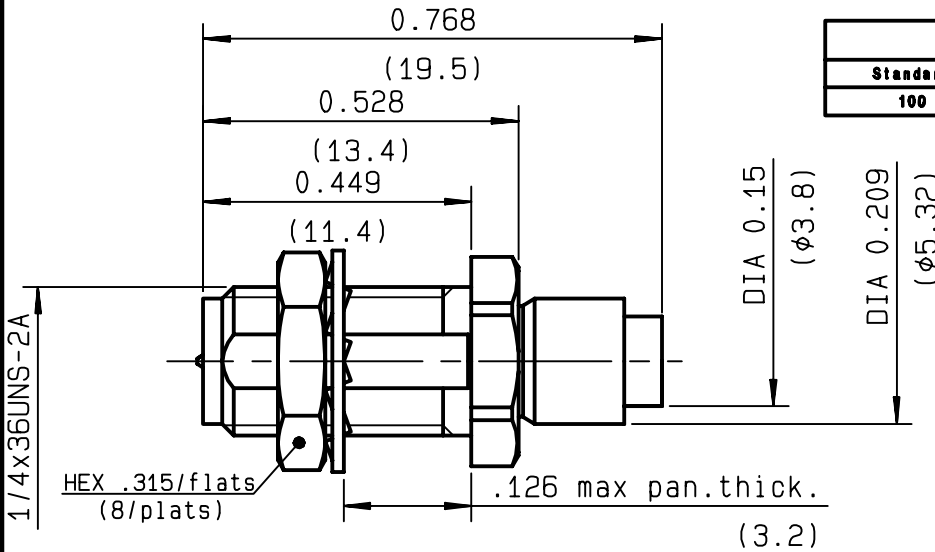
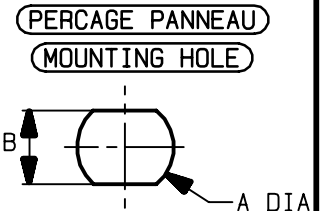


**RP SMA STR.BULK.JACK REVERSE CRIMP TYPE
CABLE 2/50S**

**R300.124.235
SERIES REV POLARITY**



PACKAGING		
Standard	Unit	Other
100	-	Contact us



	MM		INCH	
	maxi	mini	maxi	mini
A	6.5	6.4	0.256	0.252
B	5.8	5.7	0.228	0.224

NOMINAL IMPEDANCE	50	Ω
FREQUENCY RANGE	0-18	GHz
TEMPERATURE RATING	-65/+165	°C
V.S.W.R	NA	+ x F(GHz)Maxi
RF INSERTION LOSS	NA	√F(GHz) dB Maxi
VOLTAGE RATING	335	Veff Maxi
DIELECTRIC WITHSTANDING VOLTAGE	1000	Veff Mini
INSULATION RESISTANCE	5000	MΩMini
HERMETIC SEAL	NA	Atm.cm ³ /s
LEAKAGE (pressurized only)	NA	
MECHANICAL DURABILITY	500	Cycles
WEIGHT		gr
SPECIFICATION		

CABLES : **KX 21**
RG 178
RG 178 LC
RG 196

OTHERS CHARACTERISTICS

CABLE RETENTION	45	N Mini
CENTER CONTACT RETENTION		
Axial force - mating end	27	N Mini
Axial force - opposite end	27	N Mini
Torque	NA	cm.N Mini
RECOMMENDED TORQUES		
Mating	NA	cm.N
Panel nut	150	cm.N
Clamp nut	NA	cm.N

CONNECTOR PARTS:	MATERIALS	FINISH	(all values are given in micrometers)
BODY	BRASS	NICKEL 2	
OUTER CONTACT			
CENTER CONTACT	BRASS	GOLD 1.3 OVER NICKEL 2	
INSULATOR	PTFE	-	
GASKET		-	
OTHERS PIECES			

MASTRIANO

ISSUE	CREATION DATE	FILE PART-NUMBER
0306A01	28/02/2001	96-0400-521



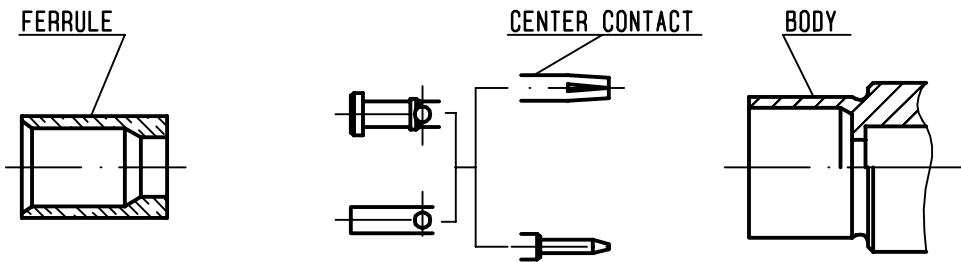
The information given here is subject to change without notice. Design changes may be in order to improve the product .

Connect to the future



R300.124.235

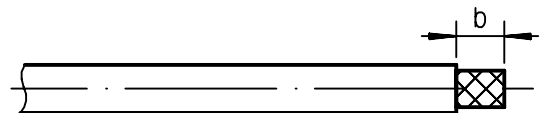
ISSUE 0306A01 SERIES REV POLARITY



①

Strip the cable .

-
-
-
-

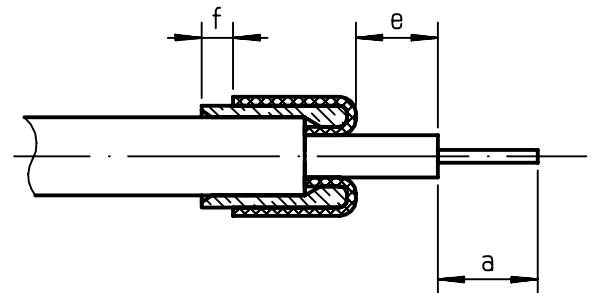


Stripping	a	b	c	d	e
inch	0.118	0.394	0	0.059	0.197
mm	3	10		1.5	5

②

Slide ferrule onto cable until it bottoms against jacket .
Fold braid back and trim off extra braid .
Trim the inner conductor as shown .

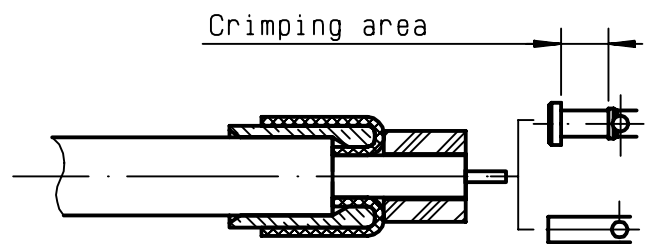
-



③

Slide the spacer .
Slide on the center contact until it bottoms against cable dielectric .
Solder the contact .

-
-
-
-



④

Slide sub-assembly into the connector body with the ferrule .
Crimp the body , crimping tool R 282 211 000 (Hex. : 0.178) or crimping tool R 282 293 000 (M22520/5-01) + dies R 282 235 009 (M22520/5-09)

